

5Pascal



High capacity freeze-dryer

Freeze-dryer
LIO-300 FP



**Technical
Data
Sheet**



www.liofilfood.it

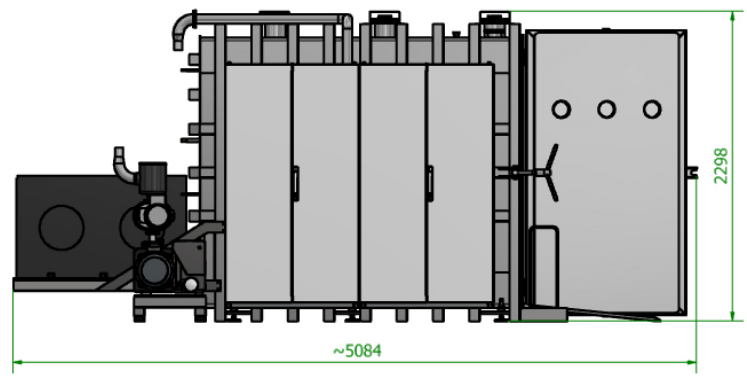
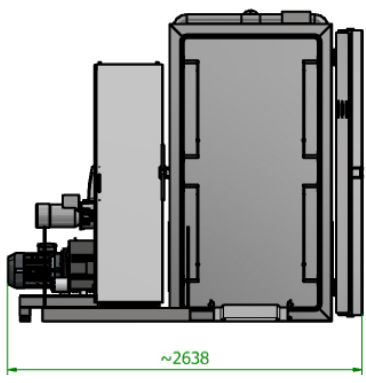
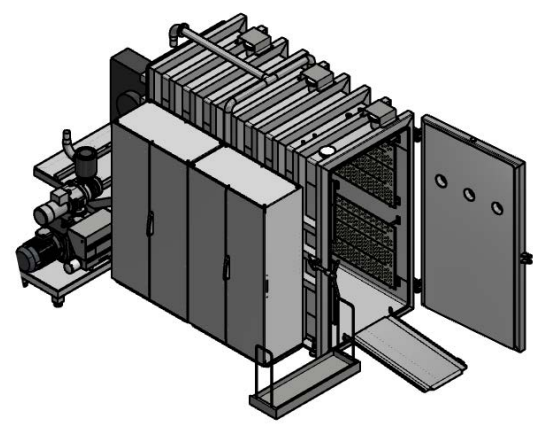
Technical specifications:**LIO-300 FP**

External dimension (WxDxH) in mm	≈ 2600 x 5000 x 2300
Ice condenser capacity (max material)	300 kg
Ice condenser temperature (°C)	- 50
Ice condenser defrost	Reverse ref. system less than 30 min
Number of trolleys	3
Number of shelves	25 per trolley
Shelf size (WxD) in mm	455 x 655
Total shelf surface	22,5 m ²
Shelf spacing	50 mm
Shelf heating	YES programable or automatic
Cooling	Air-cooled hermetic single compressor system
User interface	Siemens HMI
Door	Metal with 2 observation ports
Temperature probe	Shelf temperature Condenser temperature Material temperature
Vacuum	Pirani vacuum gauge
Vacuum pump	Dry + oil vane combo
Power supply	3 x 400 V 50 Hz
Wattage (kW)	60

**Industry 4.0**



Industry 4.0



CINQUEPASCAL SRL

Via Carpaccio 35 - 20090
Trezzano sul Naviglio
MILANO - Italy

Phone: **+39 02 4455 913**

E-mail:
info@5pascal.it

