

PRODUCT DATA

XDS Dry Vacuum Pump



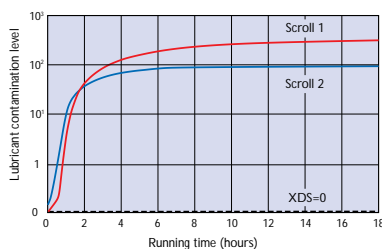
COMPLETELY DRY, LUBRICANT-FREE VACUUM PUMP WITH VAPOR HANDLING

Innovative XDS Dry Pumps were designed by BOC Edwards to provide vacuum totally free of lubricants. Bearings are isolated from the vacuum environment by a patented XDS bearing shield. Uniquely, there are no bearings, grease or oil under vacuum and no bearing purge. Controllable gas ballast is standard and makes the XDS suitable for pumping condensable vapors. The versatile XDS uses a scroll mechanism and is manufactured by BOC Edwards, the market leader in dry pumping products and technology. This pump is portable, air-cooled and cost effective. Power consumption is very low and, typically, no other utilities are required. XDS vibration and noise levels make it ideal for laboratory use.

The XDS is truly user serviceable; with no oil to change, typically annual maintenance can be completed in about 10 minutes without special tools.

Features & Benefits

- Totally dry, lubricant-free vacuum
 - No oils or greases of any kind
 - Cleaner, more repeatable processes
 - No bearing or shaft seals, no bearing purges
- Two models
 - XDS5 - $6 \text{ m}^3\text{h}^{-1}$ (3.5 cfm) @60 Hz
 - XDS10 - $11 \text{ m}^3\text{h}^{-1}$ (6.5 cfm) @60 Hz
- Ultimate 0.07 mbar (0.05torr)
- Ease of maintenance
 - No oil to buy, change or dispose of
 - No re-greasing of bearings
 - No special tools, shims or jigs needed for service
 - Simple supply voltage selection
- 3-position gas ballast selector
 - Pumps in excess of 200 gh^{-1} water vapour

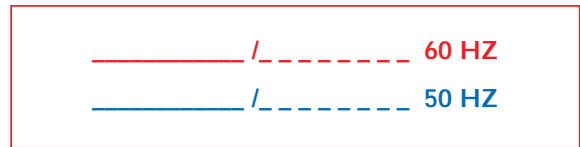
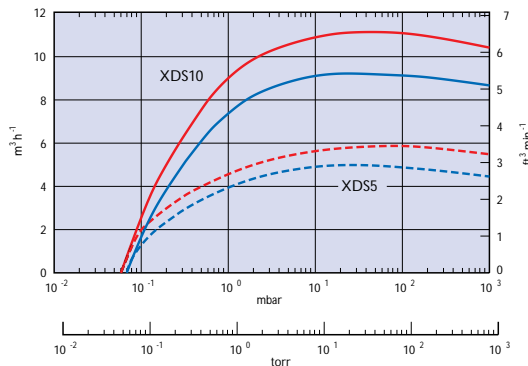


TECHNICAL DATA

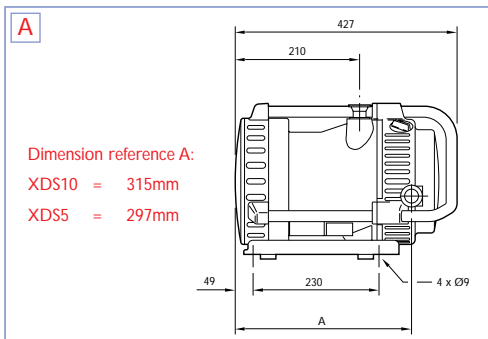
SPECIFICATIONS

	XDS5	XDS10		XDS5 & XDS10
• Displacement (swept volume)			• Motor Supply Voltage	
50 Hz	5.7 m ³ h ⁻¹ (3.4 cfm)	11.3 m ³ h ⁻¹ (6.7 cfm)	50 Hz 1 phase	110 V or 220 - 240 V
60 Hz	6.7 m ³ h ⁻¹ (4.0 cfm)	13.4 m ³ h ⁻¹ (7.9 cfm)	60 Hz 1 phase	115 - 120 V or 230 - 240 V
• Pneuop pumping speed			50 Hz 3 phase	200 - 220 V or 380 - 415 V
50 Hz	4.8 m ³ h ⁻¹ (2.8 cfm)	9.3 m ³ h ⁻¹ (5.5 cfm)	60 Hz 3 phase	200 - 230 V or 460 V
60 Hz	6.0 m ³ h ⁻¹ (3.5 cfm)	11.1 m ³ h ⁻¹ (6.5 cfm)	• Power	0.3 kW
• Ultimate vacuum (total pressure)	0.07 mbar (0.05 torr)	0.07 mbar (0.05 torr)	• Inlet connection	DN25NW DN25NW
• Exhaust connection	DN25NW	DN25NW	• Operating temperature	+10°C to 40°C (+50°F to 104°F)
• Mass	23 kg (51 lb)	24.5 kg (54 lb)	• Storage temperature	-30°C to 70°C (-22°F to 158°F)
			• Noise level @ ultimate (at 1 metre)	55 dB(A)
			• Vibration	<1.5 mms ⁻¹ (rms)
			• Leak tightness (static)	<10 ⁻⁶ mbarls ⁻¹ (<7.5x10 ⁻⁷ torrls ⁻¹)
			• Water vapor handling (GB1 flow)	70 gh ⁻¹
			• Water vapor handling (GB2 flow)	>200 gh ⁻¹

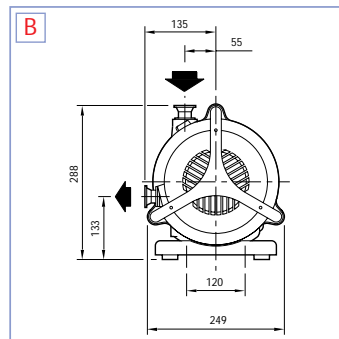
PUMPING SPEED CURVES



DIMENSIONS



Dimension reference A:
 XDS10 = 315mm
 XDS5 = 297mm



A SIDE VIEW
 B PLAN VIEW

ORDERING INFORMATION

PRODUCT DESCRIPTION	ORDERING INFORMATION	PRODUCT DESCRIPTION	ORDERING INFORMATION
XDS5		XDS10	
1 phase	A724-01-903	1 phase	A724-01-903
3 phase	A724-01-905	3 phase	A726-01-905

EUROPE

Crawley, UK +(44) 1293 528844
 Guildford, UK +(44) 1483 579857
 Cumbernauld, UK +(44) 1236 730575
 Brussels, BELGIUM +(32) 2 363 0030
 Paris, FRANCE +(33) 1 47 98 24 01
 Munich, GERMANY +(49) 89 99 19 18 0
 Milan, ITALY +(39) 2 48 4471

ISRAEL

Qiryat Gat +(972) 7 681 0633

USA

Wilmington, MA +(1) 978 658 5410
 Toll free (USA only) 1800 848 9800
 Santa Clara, CA +(1) 408 496 1177
 Tempe, AZ +(1) 480 777 7007
 Austin, TX +(1) 512 491 6622

ASIA PACIFIC

Hong Kong +(852) 2796 9111
 Shanghai, CHINA +(86) 21 5866 7558
 Tianjin, CHINA +(86) 22 2834 1981
 Taufen Town, TAIWAN R.O.C. +(886) 37 611 422
 Singapore +(65) 546 8408

KOREA

Bundang +(82) 31 716 7070

JAPAN

Tokyo (Vacuum/Abatement) +(81) 3 5470 6530
 Tokyo (Electronic Gases) +(81) 3 3434 6789
 Osaka +(81) 6 384 7052
 Kyushu +(81) 96 326 7300
 Sendai +(81) 22 373 8525

<http://www.bocedwards.com>
 Publication No: A726-02-895

BOC Edwards is a trading name used by affiliate companies of The BOC Group plc. The stripe symbol is a trademark of The BOC Group plc © BOC Edwards 2000

BOC EDWARDS